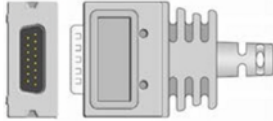





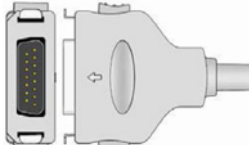



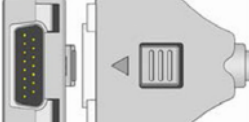

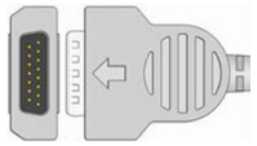



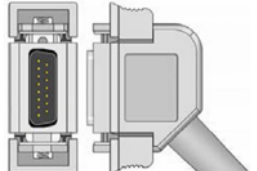

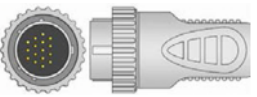



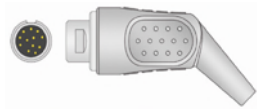

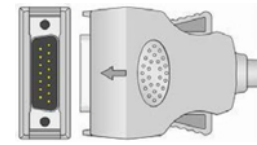

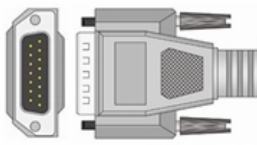

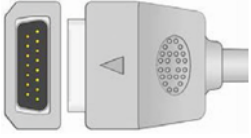

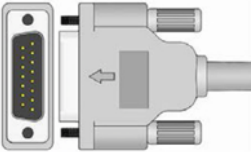


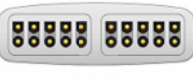




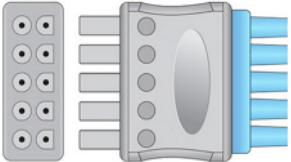
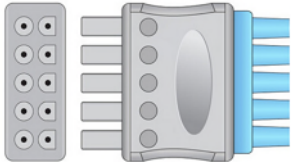
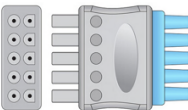

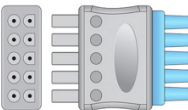

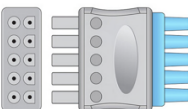

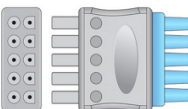

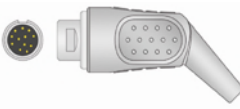
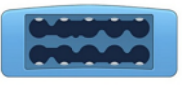
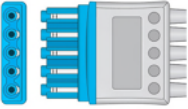
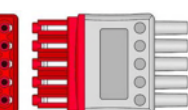







Catalogue of EKG Trunk Cable and Lead Wires

Brand	OEM NO	P/N	Code	Ohmn	Compatibility	Connector Imagine	10 lead yoke
Burdick		MPK008I	IEC	None	EK-10-E350		
		MPK008J	AHA	None			
		MPK008K	IEC	10K			
		MPK008L	AHA	10K			
Burdick Quinton		MPK016I	IEC	None	Burdick Quinton Eclipse 4,8,400,800850,850i,plus, Eclipse LE II and ATRIA PLUS		
		MPK016J	AHA	None			
		MPK016K	IEC	10K			
		MPK016L	AHA	10K			
Datex		MPK039I	IEC	None	AS/3, CS/3, Cardiocap II, Satlite Plus S5 With resisters		
		MPK039J	AHA	None			
		MPK039K	IEC	10K			
		MPK039L	AHA	10K			
Fukuda Denshi		MPK009I	IEC	None	FX101, FX102F, FX328U, FCP2201		
		MPK009J	AHA	None			
		MPK009K	IEC	10K			
		MPK009L	AHA	10K			
Fukuda		MPK038I	IEC	None	7100		
		MPK038J	AHA	None			
		MPK038K	IEC	10K			
		MPK038L	AHA	10K			
Fukuda ME		MPK021I	IEC	None	KP-500		
		MPK021J	AHA	None			
		MPK021K	IEC	10K			
		MPK021L	AHA	10K			

Brand	OEM NO	P/N	Code	Ohmn	Compatibility	Connector Imagine	10 lead yoke
GE-Marquette		MPK010I	IEC	None	MAC 500, MAC 1100, MAC 1200		
		MPK010J	AHA	None			
		MPK010K	IEC	10K			
	22341808	MPK010L	AHA	10K			
GE Marquette		MPK023I	IEC	None	GE Eagle, Solar,Dash,Tram, MAC-lab cath lab,S/5 FM		
		MPK023J	AHA	None			
	416035-002, E9002ZJ	MPK023K	IEC	10K			
	416035-001, E9002ZH	MPK023L	AHA	10K			
Hellige / Siemens H mann / Bosch		MPK024I	IEC	None			
		NPK024J	AHA	None			
		MPK024K	IEC	10K			
	22341801	MPK024L	AHA	10K			
Kanz		MPK003I	IEC	None	Kanz: 103, 106 Kanz Delta plus,delta 3plus,delta 60 plus		
		MPK003J	AHA	None			
		MPK003K	IEC	10K			
		MPK003L	AHA	10K			
Kanz		MPK004I	IEC	None	ECG 108/110/1203, 1205, Cardico 302/601/1210/ 1211		
		MPK004J	AHA	None			
		MPK004K	IEC	10K			
		MPK004L	AHA	10K			
Mindray		MPK027I	IEC	None	Mindray		
		MPK027J	AHA	None			
		MPK027K	IEC	10K			
		MPK027L	AHA	10K			
Mortara		MPK028I	IEC	None	ELI-100、 ELI- 200、 ELI-50		
		MPK028J	AHA	None			
		MPK028J	IEC	10K			
		MPK028L	AHA	10K			
Nihon Kohden		MPK005I	IEC	None	Cardio Fax Q ECG-9110K ECG-9130K Doing Juang Cardioline (New)		
		MPK005J	AHA	None			
		MPK005K	IEC	10K			
		MPK005L	AHA	10K			

Brand	OEM NO	P/N	Code	Ohmn	Compatibility	Connector Imagine	10 lead yoke
Nihon Kohden		MPK006I	IEC	None	Cardio Fax 6151,6851,6353 CadioFax 8110,		
		MPK006J	AHA	None			
		MPK006K	IEC	10K			
		MPK006L	AHA	10K			
Philips/HP		MPK002I	IEC	None			
		MPK002J	AHA	None			
		MPK002K	IEC	20K			
		MPK002L	AHA	20K			
Schiller		MPK001I	IEC	None	Schiller EKG?AT-1 ,? AT-2 , AT-3 , AT-5, AT-6, AT-10 , AT-60,? AT-106 AT-102 ,CS- 200 ,CARDIOVIT AT- 10 plus ,AT-104 PC ,AT-110 , CS100 , cs 6, CS 6/12. AT-4		
		MPK001J	AHA	None			
		MPK001K	IEC	10K			
	AT-1	MPK001L	AHA	10K			
Spacelabs		MPK032I	IEC	None	90496 Ultraview Module		
		MPK032J	AHA	None			
		MPK032K	IEC	10K			
	700-0008-01	MPK032L	AHA	10K			
Spacelabs		MPK032M	IEC	None	Ultraview, 90492,91220, 90496,91496		
		MPK032N	AHA	None			
		MPK032O	IEC	10K			
		MPK032P	AHA	10K			
GE Marquette		MPK010M	IEC	Din 3.0	GE Marquette 500/1200		
		MPK010N	AHA	Din 3.0			
		MPK010O	IEC	Banana			
	412680-001	MPK010P	AHA	Banana			
		MPK010Q	IEC	Snap			
		MPK010R	AHA	Snap			
		MPK010S	IEC	Clip			
		MPK010T	AHA	Clip			

Brand	OEM NO	P/N	Code	Ohmn	Compatibility	Connector Imagine	10 lead yoke
GE Medical	411200-003	MPK023M	5-Lead,Snap,IEC,(76cm) &VS2Pin			 	 
	411200-001	MPK023N	5-Lead,Snap,AHA (76cm) &VS 2Pin				
	411200-004	MPK023O	5-Lead,Snap,IEC,51in (130cm) & VS 2Pin				
	411200-002	MPK023P	5-Lead,Snap,AHA ,51in (130cm) & VS 2Pin				
	411200-006	MPK023Q	5-Lead,Snap,IEC,51in (130cm) & N,F,C 130cm,R,L-74cm				
	411200005, E9008KF	MPK023R	5-Lead,Snap,AHA,RL,LL,V 130cm,RA LA 74cm				
	416468-004	MPK023S	5-Lead ,C2-C6,Snap ,IEC ,29in (76cm)				
	416468-003	MPK023T	5-Lead,V2-V6 Snap,AHA ,29in (76cm)				
	416468-002, E9008KH	MPK023U	5-Lead,C2-C6 Snap,IEC,51in (130cm) & VS 2Pin				
	416468-001, E9008KG	MPK023V	5-Lead,V2-V6 Snap,AHA,51in (130cm)				
GE Medical	414556-003	MPK023MC	5-Lead,Clip,IEC,(76cm) &VS2Pin			 	 
	414556-001	MPK023NC	5-Lead,Clip,AHA (76cm) &VS 2Pin				
	414556-004	MPK023OC	5-Lead,Clip,IEC,51in (130cm) & VS 2Pin				
	414556-002	MPK023PC	5-Lead,Clip,AHA ,51in (130cm) & VS 2Pin				
	411200-006	MPK023QC	5-Lead,Clip,IEC,51in (130cm) & N,F,C 130cm,R,L-74cm				
	411200-005	MPK023RC	5-Lead,Clip,AHA,RL,LL,V 130cm,RA LA 74cm				
	416467-004	MPK023SC	5-Lead ,C2-C6,Clip ,IEC ,29in (76cm)				
	416467-003	MPK023TC	5-Lead,V2-V6 Clip,AHA ,29in (76cm)				
	416467-002	MPK023UC	5-Lead,C2-C6 Clip,IEC,51in (130cm) & VS 2Pin				
	416467-001	MPK023VC	5-Lead,V2-V6 Clip,AHA,51in (130cm)				
Philips/ HP	M1663A	MPK034I	IEC	2M			
		MPK034J	AHA	2M			
	M1949A	MPK034K	IEC	2.7M			
		MPK034L	AHA	2.7M			
	M1645A	MPK034M	IEC, Snap, blue		Philips IntelliVue Integrated leads	 	
	M1604A	MPK034N	IEC, Snap, red, C2-C6				
	M1644A	MPK034O	AHA, Snap, Blue				
	M1602A	MPK034P	AHA, Snap, red, V2-V6				
	M1971A	MPK034Q	IEC, Clip, blue				
	M1978A	MPK034R	IEC, Clip, red, c2-c6				
	M1968A	MPK034S	AHA, clip, blue				
	M1976A	MPK034T	AHA, Clip, red, v2-v6				

Brand	OEM NO	P/N	Code	Ohmn	Compatibility	Connector Imagine	10 lead yoke
Philips/ HP Trim		MPK035M	IEC	Din 3.0	For M1700A,M1701A,M1702A;Trim II,Trim 1,2,3		
		MPK035N	AHA	Din 3.0			
	M1716B	MPK035O	IEC	Banana			
	M1713B	MPK035P	AHA	Banana			
		MPK035Q	IEC	Snap			
		MPK035R	AHA	Snap			
		MPK035S	IEC	Clip			
GE Medical Treadmill cable		MPK036M	IEC	Din 3.0	GE MAC PC,MAC 6,MAC 12,MAC 15,MAC VU,CASE 12,CASE 15,CASE 16 ,MAX-Personal,MAX-1,Centra System With AM4/AM5 Acquisition modules		
		MPK036N	AHA	Din 3.0			
		MPK036O	IEC	Banana			
		MPK036P	AHA	Banana			
		MPK036Q	IEC	Snap			
		MPK036R	AHA	Snap			
		MPK036S	IEC	Clip			
GE AM4/ Universal leadwire	406581-002	MPK036U	24in (60cm)	GE MAC PC,MAC 6,MAC 12,MAC 15,MAC VU,CASE 12,CASE 15,CASE 16 ,MAX-Personal,MAX-1,Centra System With AM4/AM5 Acquisition modules			
	406581-003	MPK036V	26 in (66cm)				
	406581-004	MPK036W	36in (90cm)				
	406581-005	MPK036X	42 in (107cm)				
	406581-006	MPK036Y	52 in (132 cm)				
GE CAM/ Universal leadwire	2001925-001	MPK010U	20in (50cm)	MAC1100/1200,1200ST,CardioSmart,Car dioSys,MAC5000,5000S,MAC 1600,MAC 3500,MAC 5000ST, MAC 5500,CASE Series,CASE 8000,CardioSoft, CardioSmart,CardioSys			
	2001925-002	MPK010V	29 in (74cm)				
	2001925-006	MPK010W	36in (90cm)				
	2001925-004	MPK010X	51in (130cm)				
	2001925-003	MPK010Y	40 in (102cm)				
	2001925-005	MPK0010Z	26 in (66cm)				
Philips TC Series EKG Leadwires 9898031516 31		MPK037M	IEC	Din 3.0	Philips TC Series monitors including Pagewriter TC30, TC50, TC70 and 860306, 860315, 860310. Consists of 2 arm leads, 2 leg leads, and 2 sets of 3 trident leads, color coded and shielded		
		MPK037N	AHA	Din 3.0			
		MPK037O	IEC	Banana			
		MPK037P	AHA	Banana			
		MPK037Q	IEC	Snap			
		MPK037R	AHA	Snap			
		MPK037S	IEC	Clip			
	MPK037T	AHA	Clip				